



Road Allowances

- Minimum road allowance required from ditch to ditch 22' for our wheels to travel.
- Trees overhanging the road is always a potential problem area.
- If a house is moving along a treed road, trees need to be trimmed at the bottom to allow for the base width of the house and trimmed at the top for allowance of the house at the eave allow an extra 4' (2' per side).

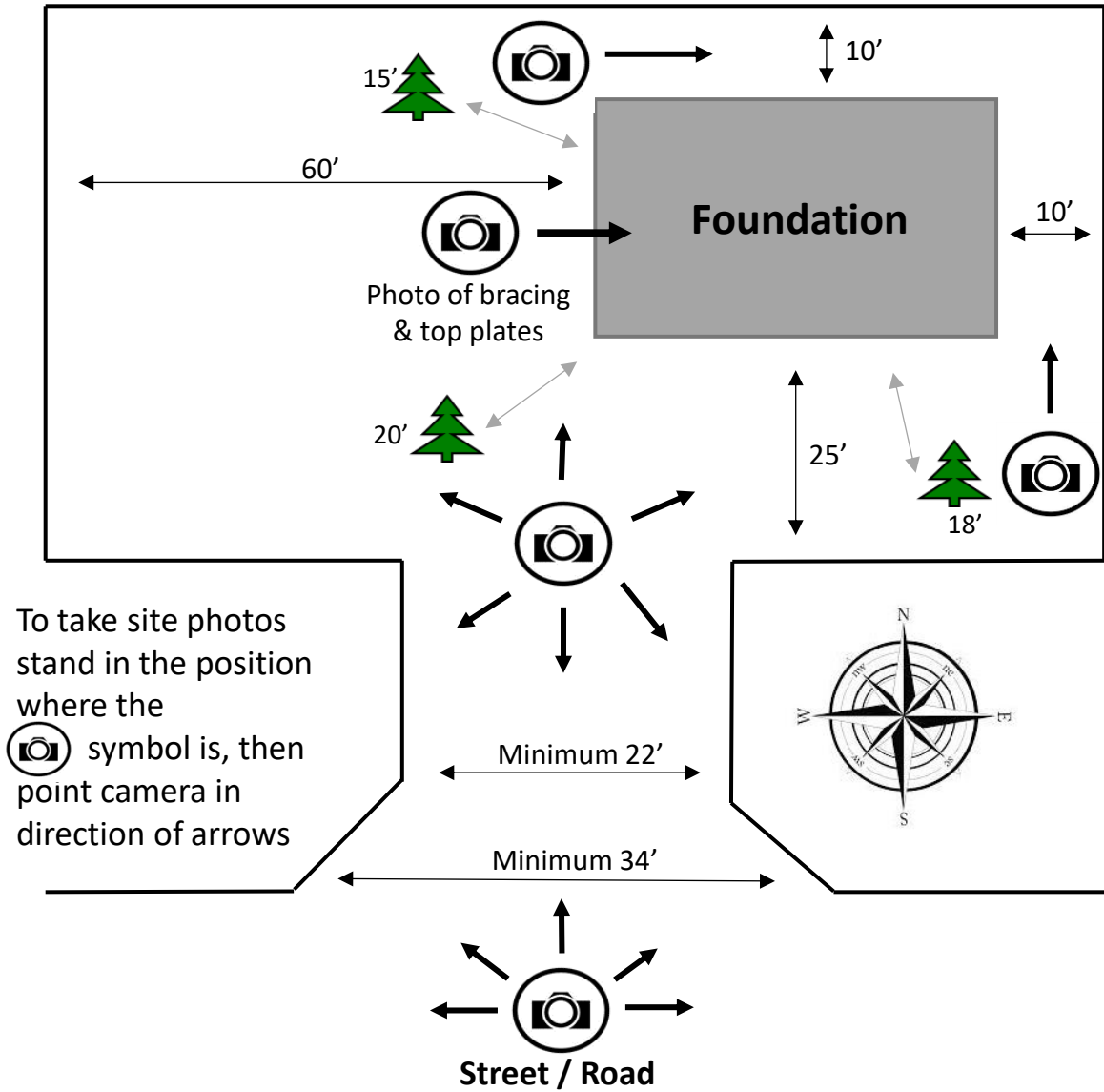
Ex: Your house has base width 28' , eave width 32'

Tree allowance 32' at base, 36' at the eave





Site Map/ Drawing and Site Photos

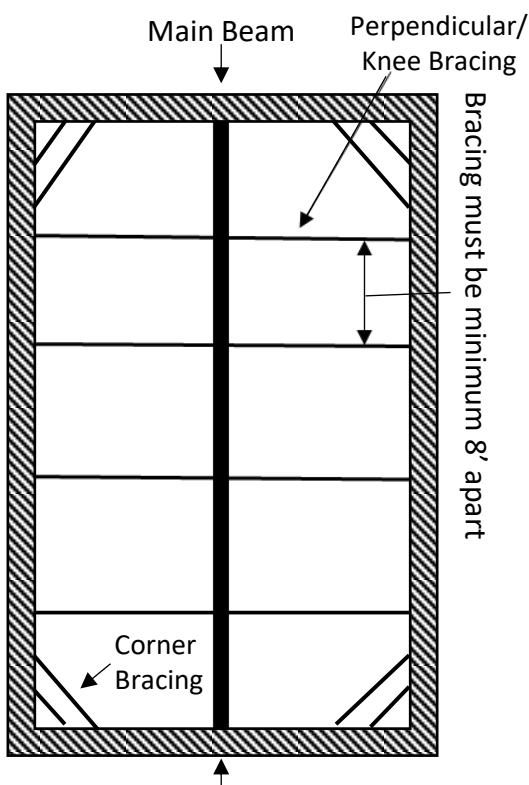


- Please draw out your yard site, place foundation in appropriate position.
- Please take measurements from property line to foundation.
- If there are other objects in the yard site (ex: trees, buildings, fences etc.) mark them on the drawing and measure distance between object and foundation.
- When possible have an object of comparison in photo (Ex: Person, car, etc.)
- Please send all photos to your sales person or cory@neufeldbuildingmovers.com



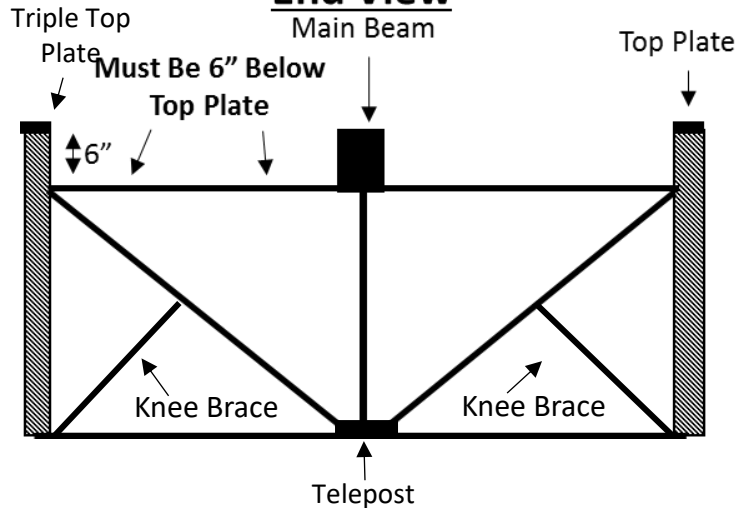
Construction and Bracing Requirements Wood Basement

Illustration 1
Top View



One top plate must run continuously through center beam.

Illustration 2
End View

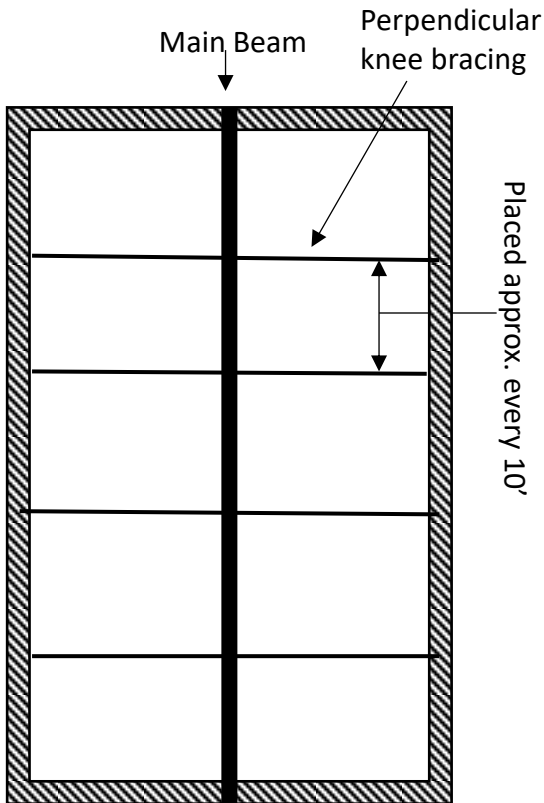


- All **walls MUST** be constructed as with studs **12" on center**.
- All Bracing **MUST be constructed of 2x6 lumber**
- Knee bracing must be attached to the bottom of the wall and connected to the main brace as illustrated in illustration #2
- When securing a top a top plate , nuts must be counter sunk and anchor bolts must be cut flush with the top plate.
- When bracing the main beam, the horizontal braces **MUST** be attached to the bottom portion of the main beam. but **6"** below top edge of the top plate and main beam.
- **Must double brace corners with 2x6 lumber**
- Top plate **MUST be a Triple top plate**. It must consist of **2x8 lumber** and cover the entire perimeter of the foundation.

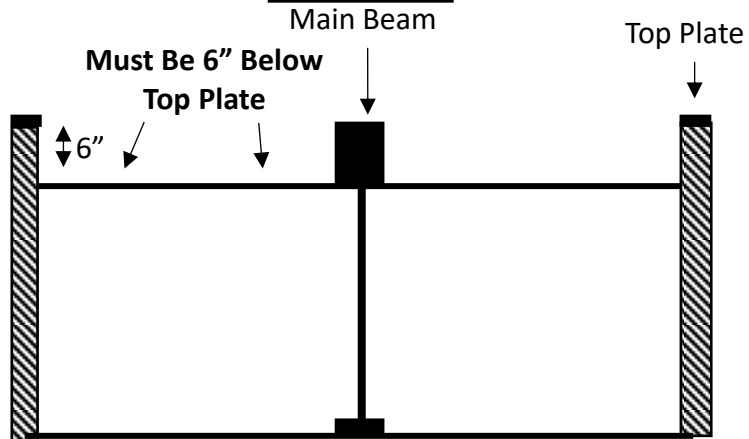


How to Brace Concrete/ ICF Basement

Top View



End View

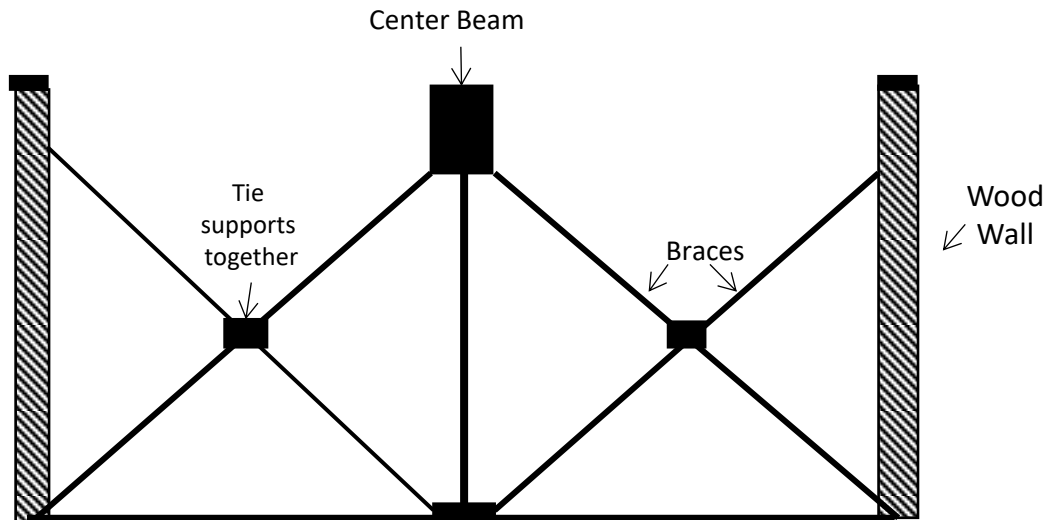


- When securing a top a top plate , nuts must be counter sunk and anchor bolts must be cut flush with the top plate.
- When bracing the main beam, the horizontal braces **MUST** be attached to the bottom portion of the main beam. **and 6" below top edge of the top plate on outside wall.**



How to brace a Wood Foundation with House Moving Beam Pockets

**** Note: Beam pockets must be placed according to Beam Pocket Plan provided by Neufeld Building Movers ****



- Placing of braces need to be the same height or lower then the bottom of the beam pockets.
- Braces should be placed every 10' or so
- Tie the brace that angles down from either direction to one another to create an "X" for extra support.

**** These are recommendations for basement bracing and are at the contractors discretion for different methods . Any Bracing placed cannot impede with beam pockets. ****

For concrete foundation the most important part is to stabilize the center beam, any other bracing can be minimal at the contractors discretion.

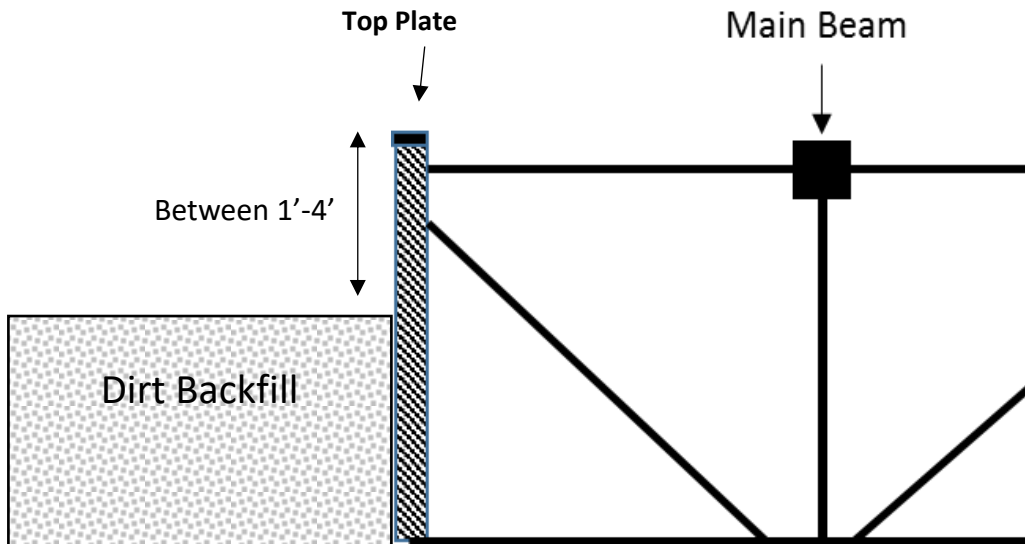
If house moving beam pockets are not mentioned on your quote or from your sales person, pockets will not be required.

For more information on beam pockets please contact your sales person or our office.



How to Backfill All Basements

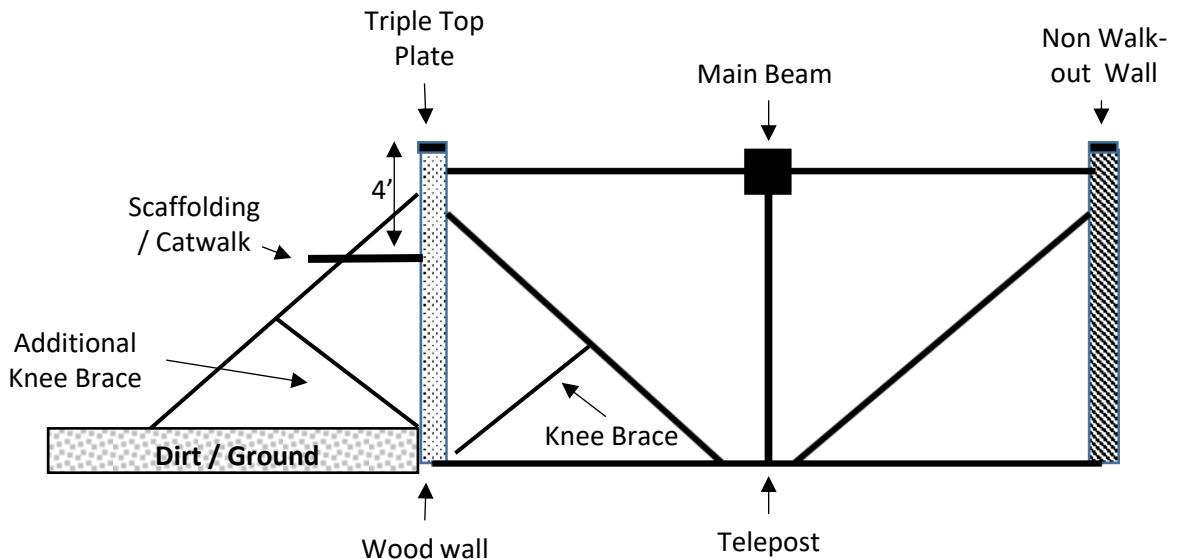
Side View



- **All basements MUST** be backfilled around the **ENTIRE** perimeter of foundation
- Backfill from the top plate must be between 1'-4' from ground level below top plate.
- On walk out walls we do require a catwalk or scaffolding to be put in place for our crew to sufficiently work around the perimeter of your foundation. The catwalk, or scaffolding must be 4' below the top plate.



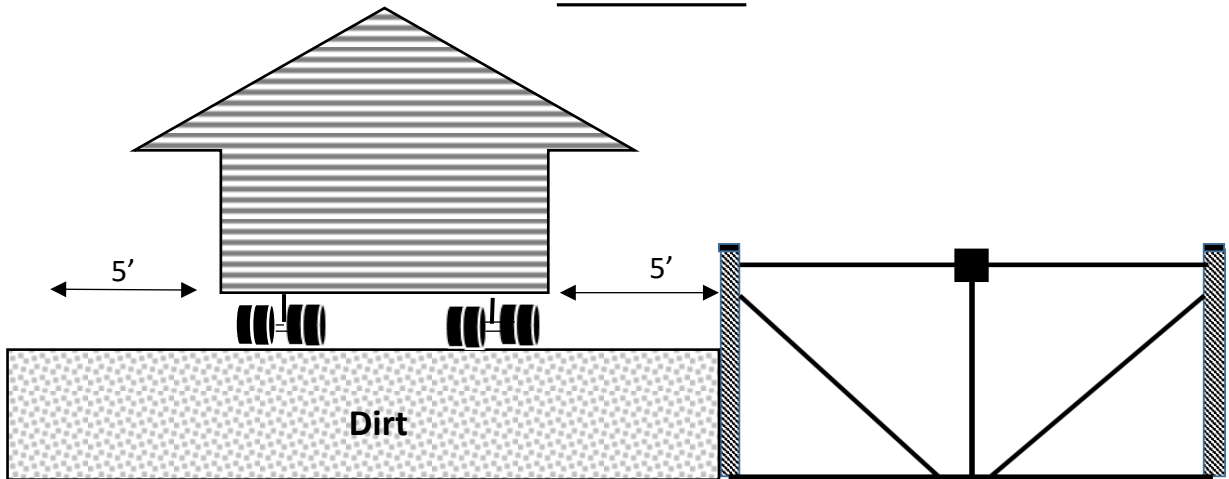
How to Prepare Walk-Out Wall



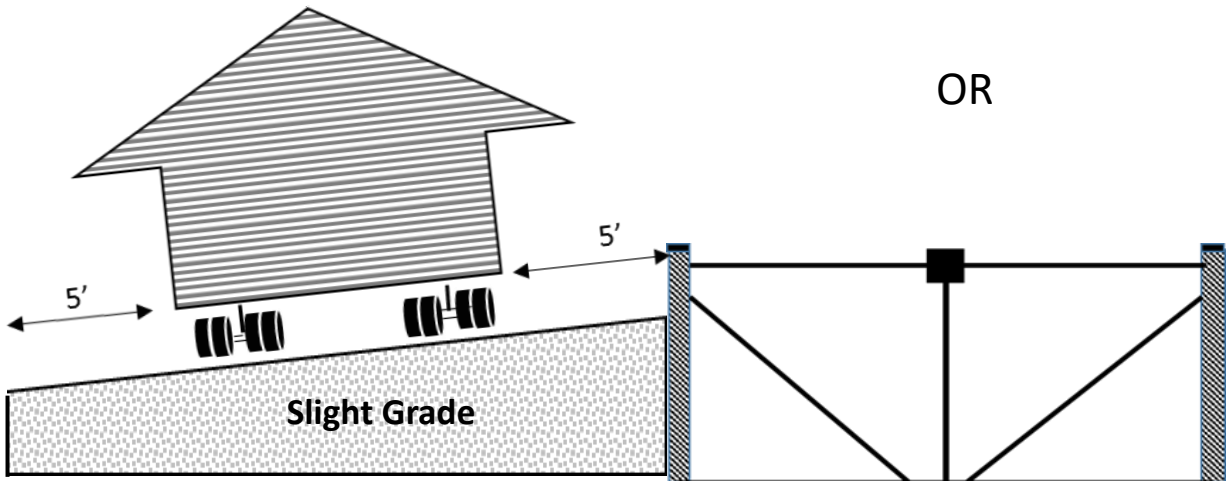
- On End walls, follow the specification for wood wall construction as explained on page 5.
- The wooden walk out walls running the **LENGTH** of basement can be built with 2x6 material. Additional bracing is required along the outside of the wood walk out wall as illustrated above.
- Please follow knee bracing instructions for the walk out wall as per illustration #2 on page 5.
- We **MUST** have a catwalk or scaffolding along the walk out wall.
- Wood walk out walls must be securely Fasted to the concrete wall using anchor bolts.
- Bracing must be minimum 8' apart on both the inside and outside of wall.

How to Prepare Site

Side view



OR

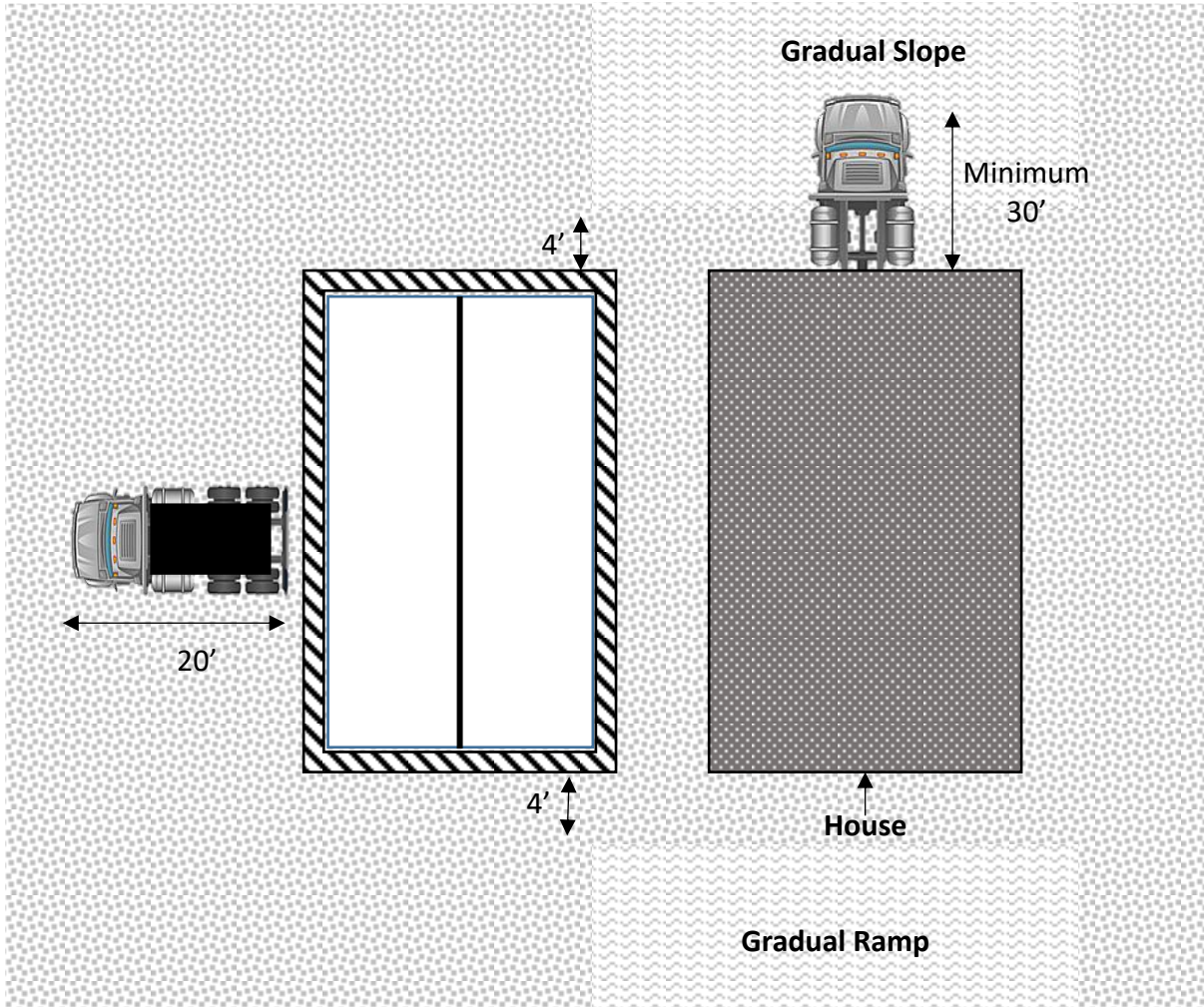


- Above Examples are both correct on preparing a site.
- Allow 10' wider then width of the house on level pad and surrounding foundation



Side Unload Site Prep

Top View

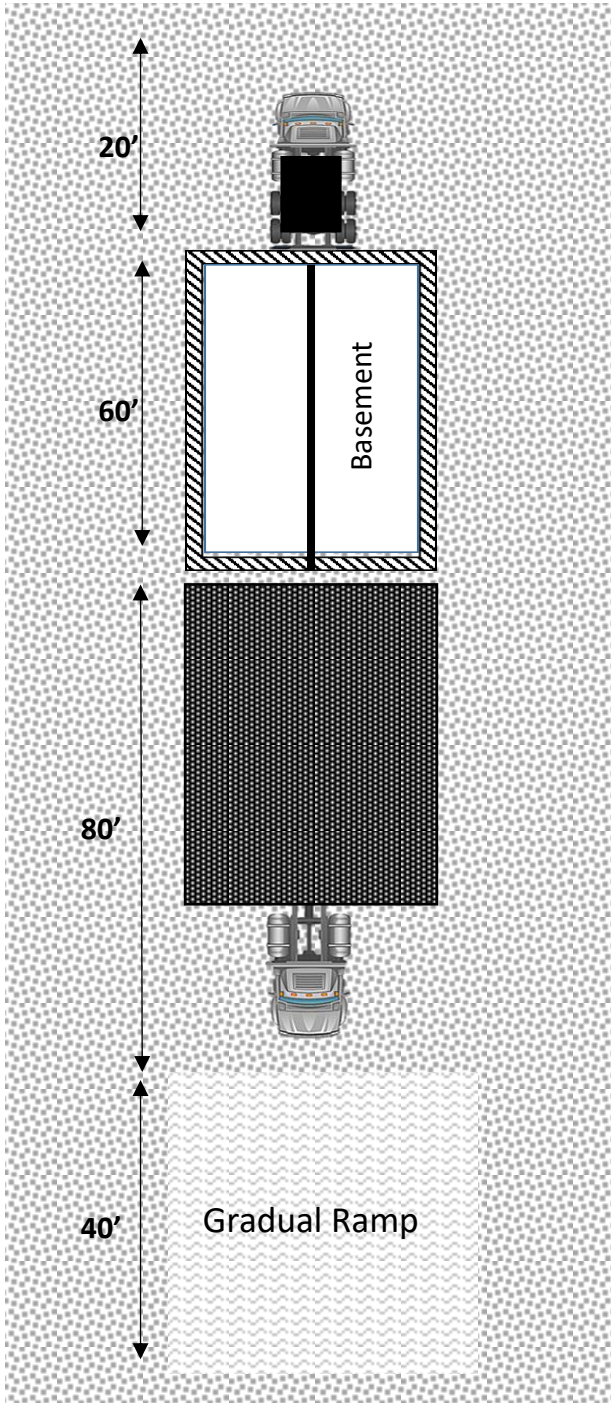


- Allow an 30' extra space for the semi truck on pad, please prepare for semi to be on either end of the house.
- Allow 20' on opposite side of which the house will be pulled onto foundation for crane truck to pull house over top of basement.
- There may be a gradual slope or ramp for semi to drive up to level pad for unloading starting 4' past the end of the foundation.



End Unload Site Prep

Top View



- When preparing for an end unload please allow for twice the length of the house for maneuvering the house into position.
- Allow 20' on opposite side of which the house will be pulled onto foundation for crane truck to pull house over top of basement.
- There may be a gradual slope or ramp for semi to drive up to level pad for unloading starting 4' past the end of the foundation.